

The tops are made of 26 mm thick furniture board or MDF. Asymmetrical tops are shown as left-handed versions. Right-handed versions are also available. The beech veneered tops can be stained with Isku standard furniture stains. Veneered EL and P table tops are made of MDF board with bevelled and laquered edges. Lam 215 and lam 230 EL and P table tops have ABS edging strips. Some table tops are available with laser edging strips.

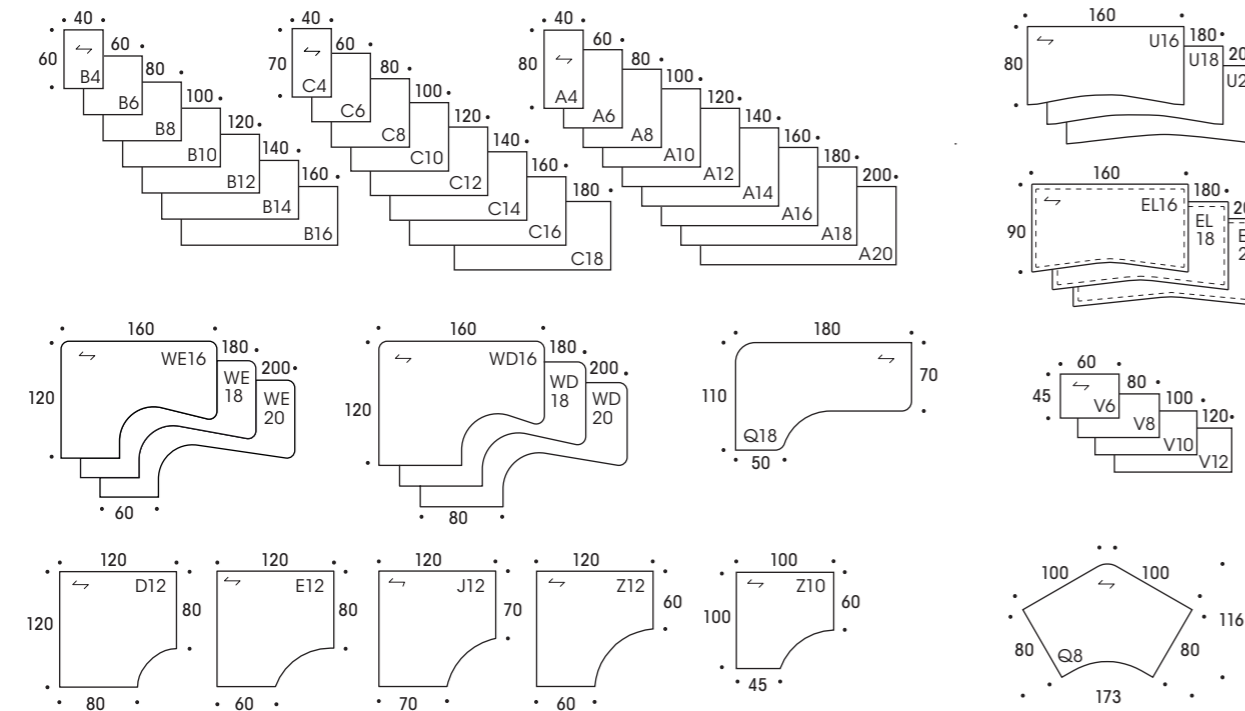
Antimicrobial table tops

All table tops can be made with antimicrobial surfaces for projects.

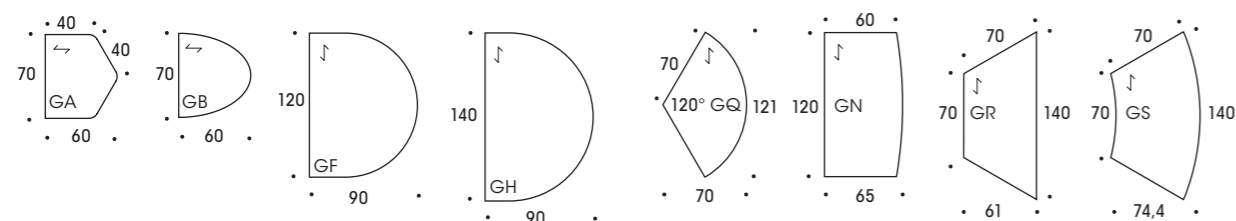
⊕ Antimicrobial table top collection. Tops are 26 mm thick laminated or brass surfaces. Edges: cast edges or veneered.

↔ Direction of the veneer in veneered tops
 --- Beveled edge

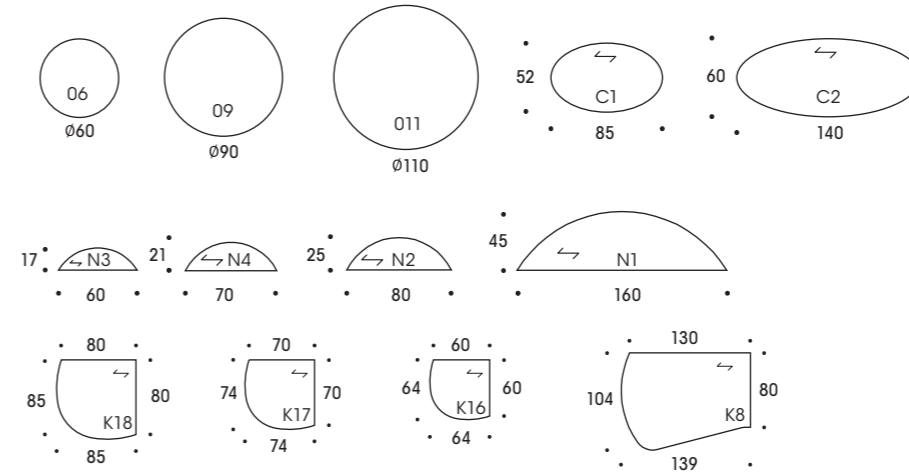
Edge options



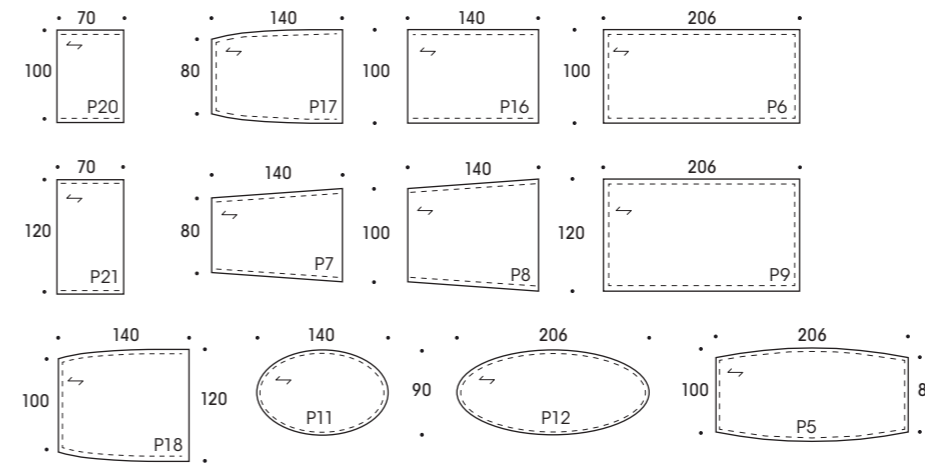
Team work table tops



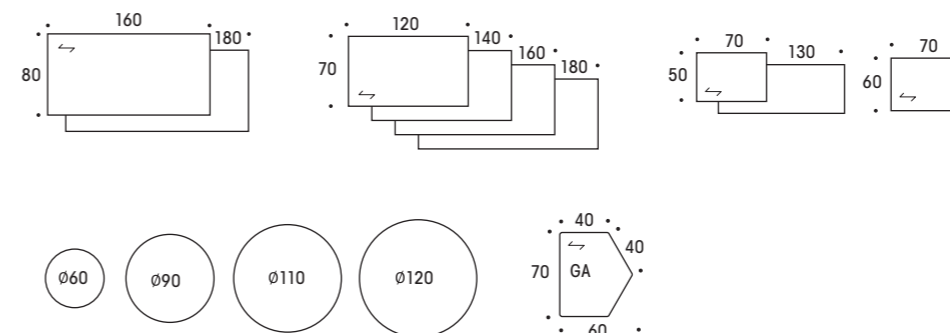
Round and oval tops



Conference table tops



⊕ Tops with cast edges (Teamix)



	Tops					Edges			
	Birch	Beech	Oak	Lam 230	Lam 215	ABS 2mm	Veneer 2mm	LAM IC MDF	Veneered MDF
A4
A6
A8-20
B4
B6-16
C1
C2
C4
C6
C8
C10
C12-18
D12
Z10
Z12
E12
WE16
WE18
WE20
WD16
WD18
WD20
EL16	x
EL18	x
EL20	x
J12
K8
K16
K17
K18
N1
N2
N3
N4
O6
O9
O11
P5	x
P6	x
P7	x
P8	x
P11	x
P12	x
P16	x
P17	x
P18	x
P19	x
P20	x
P21	x
Q8
Q18
U16
U18
U20
V6
V8
V10
V12